

22-IS-0424

**PROLINK G PROFILE
&
PLGMK EASY-LOCK SEISMIC TESTS**

INSPECTION REPORT

Inspection Requesting:	LINK YAPI SAN. VE TIC. A.Ş. Gebze Organize Sanayi Bölgesi, 1000. Sokak, NO:1016, Çayırova - Kocaeli
Inspection Address:	SABANCI ÜNİVERSİTESİ İstanbul Teknoloji Geliştirme Bölgesi, Teknopark Bulvarı, No:1 34906 Pendik /İSTANBUL
Inspection Dates:	28.03.2022
Report No:	22-IS-0424-TAT-22-0139
Report Date:	23.06.2022
Report Published:	TÜV AUSTRIA TURK Belgelendirme Eğitim ve Gözetim Hizmetleri Ltd. Şti. Çamlık Mah. İkbal Cad. Dinç Sok. No:28/1 Ümraniye / İstanbul

Index

1	INTRODUCTION	3
2	INSPECTION	3
3	MAIN CONCLUSIONS & RESULT & REMARKS	3
3.1	Test Specimen and Loading Directions	4
4	ANNEXES	4
5	APPROVAL & LEGAL RESPONSIBILITY	4
6	PHOTOS	5

1 INTRODUCTION

This audit includes the seismic tests of the PROLINK G PROFILE & PLGMK EASY-LOCK equipments belonging to the LINK YAPI SAN. VE TIC. A.Ş. at the SU-IMC (Sabancı University, Integrated Manufacturing Technologies) laboratory on 28.03.2022 according to the ANSI - ASHRAE 171-2017 standard.

The recommended load values of the designed G-Profiles & Easy-Lock equipment were produced by LINK YAPI SAN. VE TIC. A.Ş. Audit findings are summarized below.

TITLE AND DOCUMENT REFERENCES	REVISION AND DATE
ANSI-ASHRAE 171	2017
TÜV AUSTRIA TURK EN ISO/IEC TURKAK ACCREDITATION	2022 - Accreditation No: AB-0188-M

Participants ;

Ali HACIOĞLU - TUV Austria, Inspector
Ömer CILIZ - LINK YAPI SAN. VE TIC. A.Ş.

2 INSPECTION

The seismic tests of the G-Profile and PLGMK easy lock equipments in accordance with the ANSI-ASHRAE 171-2017 standard have been witnessed.

- 1- The tests were carried out in accordance with the requirements of ANSI-ASHRAE 171-2017 standard.
- 2- In the connections, PLGMK easy locks are applied with 8.8 quality bolts with 40 Nm torque.
- 3- According to the standard - 8.1, 90% of the nominal load test loads are accepted.
- 4- The safety factor for the design load is taken as 1.5.

The technical drawings of the G-Profiles and the calibration certificate of the test equipments are available.

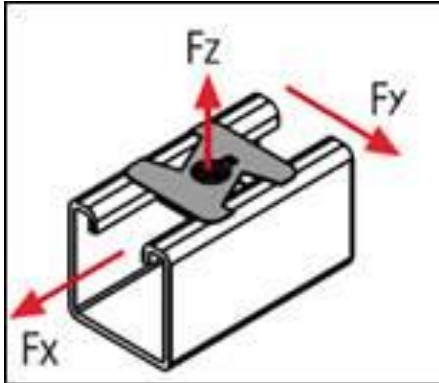
3 MAIN CONCLUSIONS & RESULT & REMARKS

Products on which the tests are applied, test positions, load values and the results are listed below.

- a. The test was stopped due to the 38 mm slip limit was exceeded.
- b. The test was stopped due to twice the determined load was reached.
- c. The test was stopped due to the damage occurred.

PROLINK G PROFILE & PLGMK EASY-LOCK TEST RESULT TABLE ¹					
Test Load Direction	Test Sample Profile ²	Max. Test Load	Test Result	Nominal Load ³	Design Load ⁴
Fx	45 Series G Profile	7,97 kN	a	7,2 kN	4,8 kN
	60 Series G Profile	10,15 kN	b	9,1 kN	6,1 kN
	41 Series G Profile	10,17 kN	b	9,1 kN	6,1 kN
Fy	45 Series G Profile	3,16 kN	c	2,8 kN	1,9 kN
	60 Series G Profile	3,17 kN	c	2,9 kN	1,9 kN
	41 Series G Profile	10,01 kN	b	9,0 kN	6,0 kN
Fz	45 Series G Profile	10,04 kN	b	9,0 kN	6,0 kN
	60 Series G Profile	10,03 kN	b	9,0 kN	6,0 kN
	41 Series G Profile	10,04 kN	b	9,0 kN	6,0 kN

3.1 Test Specimen and Loading Directions



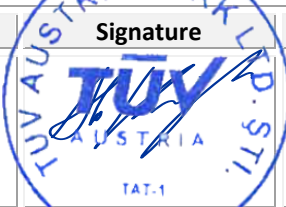
4 ANNEXES

Calibration certificate of tensile testing machine

5 APPROVAL & LEGAL RESPONSIBILITY

As the signatories below, we undertake that we have reviewed and agreed to this report and that we are aware of all the requirements herein and comply with its provisions.

This surveillance report has been prepared on the basis of high level of knowledge and effort and is for informational purposes only. With this report, TÜV AUSTRIA TURK does not bear any legal or financial obligations.

	Name Surname	Signature	Task	Date
Prepared	Ali HACIOĞLU	 TÜV AUSTRIA TAT-1 *	Industrial Inspector	23.06.2022